



Best Cleaning Solution FOR ALL TEXTILE MACHINES

- Simple Design & Robust construction
- High performance Fan/Reduced power consumption
- High quality components for high reliability & durability
- In technical collaboration with magitex Italy



MANUFACTURING FACILITY



Bringing you the Best Technology
at Affordable Price

Perfect Range of Machinery

PERFECT

PERFECT ENGINEERING CORPORATION

Plot No. 509, G.I.D.C. Estate, Odhav,
Ahmedabad 382 415, INDIA

Phone.: +91 79 22871516, 22871615, 22890895,
Fax : +91 79 22870307.

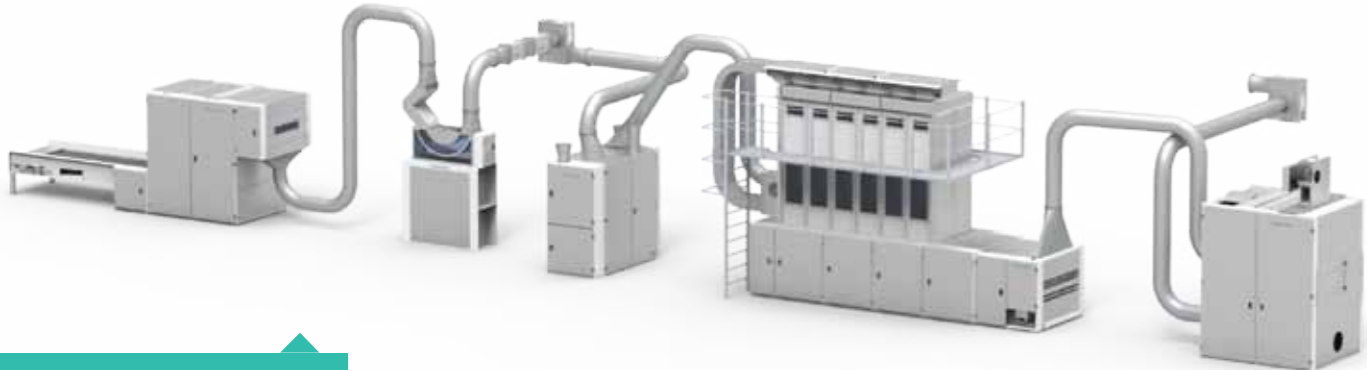
Email : sales@perfectequipments.com
Web: www.perfectequipments.com

The information contained within this document is accurate as possible. However, due to continuous development, PERFECT Equipments Pvt. Ltd. reserves the right to alter or amend any of the specifications or data as required. Any pictures or illustrations provided are for guidance only.

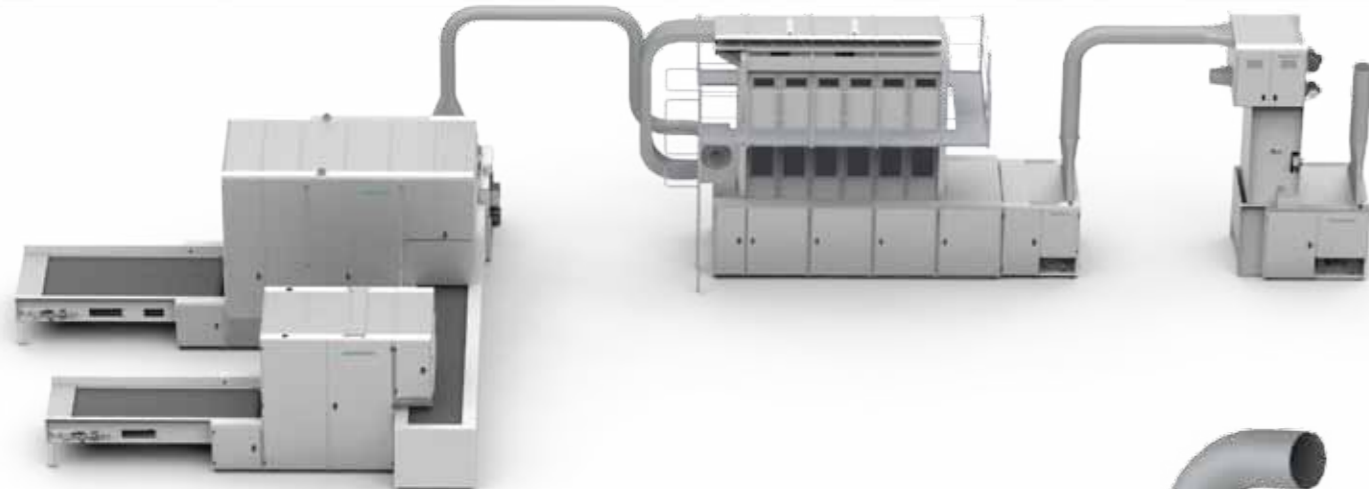
www.perfectequipments.com

PERFECT
for Affordable Technology

BLOW ROOM MACHINERY



COTTON



BLENDING LINE

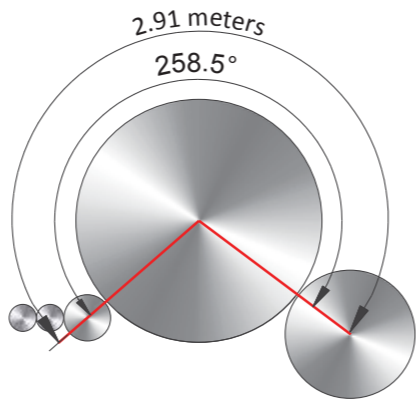


FOR MAN MADE FIBRES

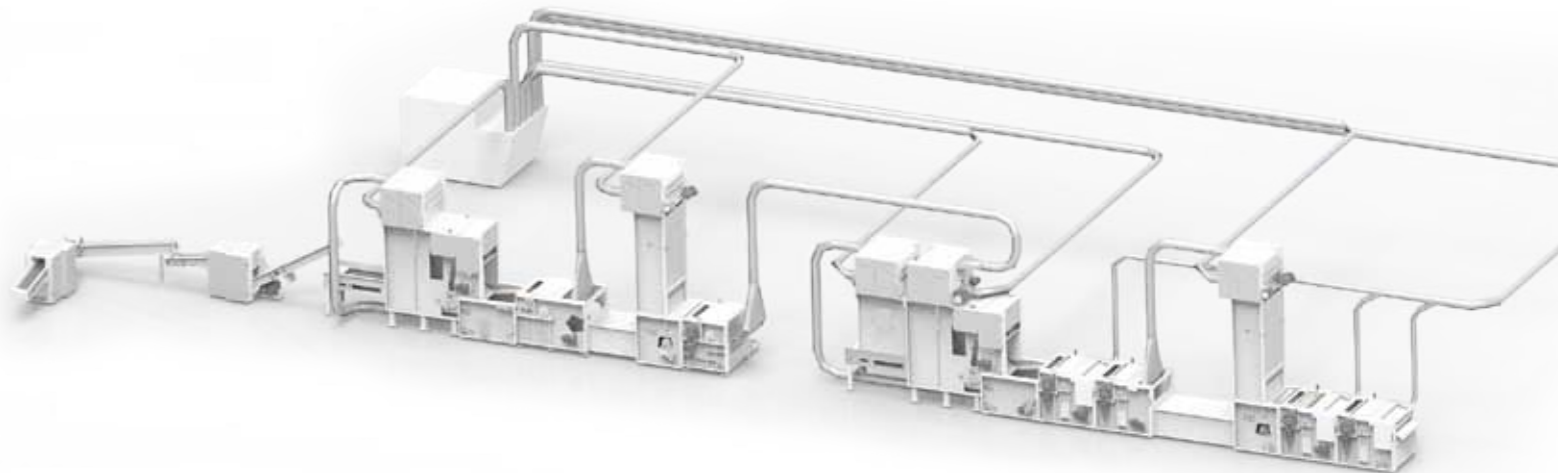
CARD MODEL-1000

- Largest Carding area of 2.91 square meters (for any 1000 mm width Card)
- 37 Flats in working position
- Licker in options : Single or Triple to suit any type of material to be processed
- Pre & Post stationary flats with mote knife & Suction hood
- Ready for Continuous Waste collection System
- Web Collection with Double Apron System
- Accurate gauge between all carding elements. Six point setting for Flat gauging
- Medium & Long Term Autoleveller
- With Rotary type Can Changer
- Chute feed system

LARGEST CARDING AREA OF 2.91 SQUARE METERS



WASTE RECYCLING LINE HARD WASTE & FABRIC OPENING LINE



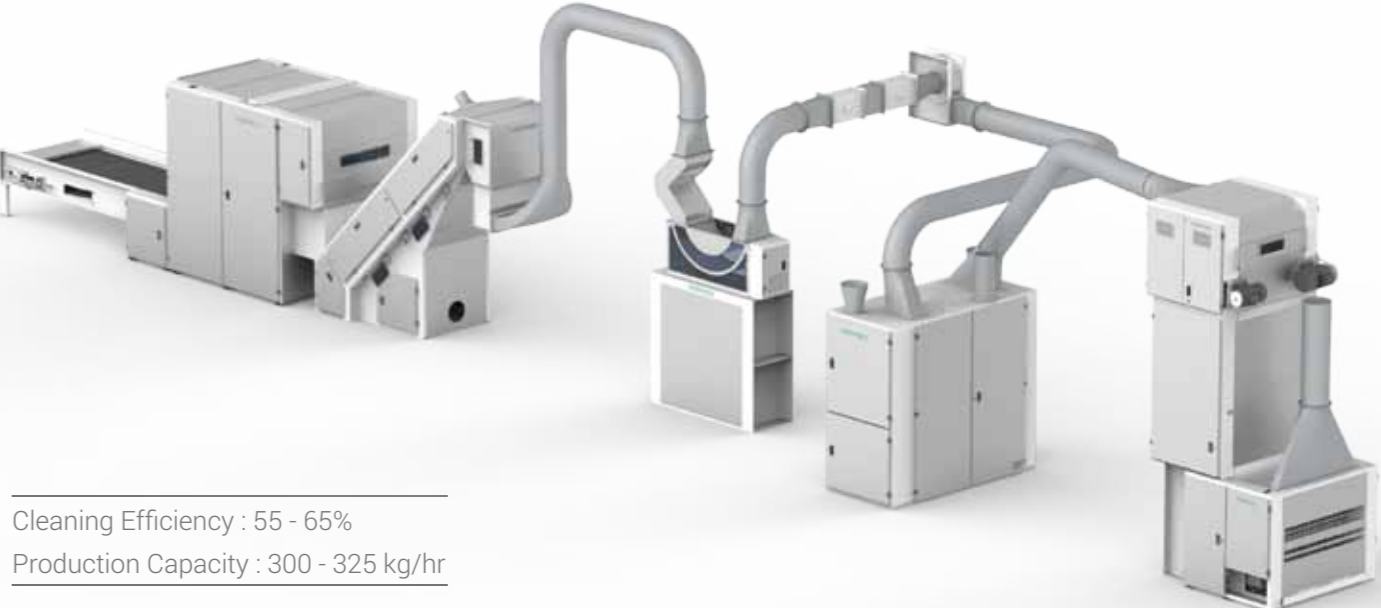
Line capacity can be configured to meet Customer requirement (1-5 ton/day)



CUTTER

Model	Working width mm	Capacity kg/hr
ECO	300	450 - 600
ECO	500	750 - 1000

COTTON WASTE RECYCLING LINE



Cleaning Efficiency : 55 - 65%
Production Capacity : 300 - 325 kg/hr